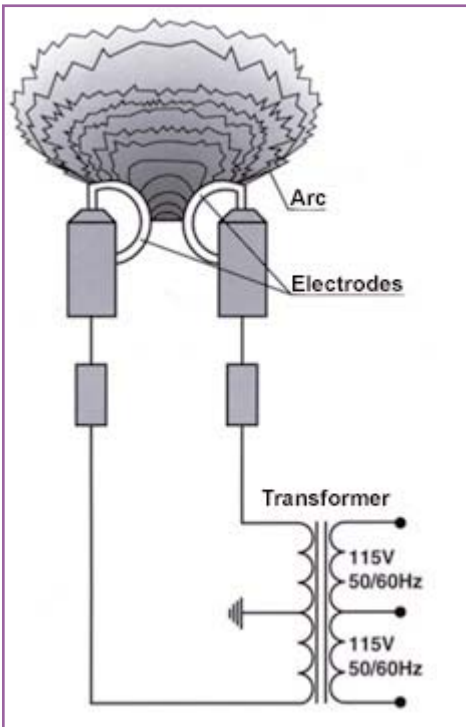


LABORATORY CORONA TREATER

Simple Treatment Enables Even the Most Difficult Substrates to Accept Adhesion



The Laboratory Corona Treater is designed for research and test laboratories and low volume production work for treating very small parts.

The Laboratory Corona Treater changes the surface energy of certain substrates by exposing them to highly charged electrical ions. The two opposing high voltage electrodes create an arc of electrons from one to the other. The electrons change the wettability of the material surface so that the inks, coatings, and adhesives cross-link with the polymer surface. Hence, the inks, coatings, and adhesives adhere properly to the part.

The material being treated is exposed to an electrical discharge, or "corona." Oxygen molecules within the discharge area break into their atomic form and are free to bond to the ends of the molecules in the material being treated, resulting in a chemically activated surface.

Corona treating is a very effective way to increase the surface tension of virtually any material. When properly applied to your substrate, corona treating produces the higher surface dyne levels needed for good adhesion even on the more difficult-to-treat materials like polypropylene and polyethylene.

Other common corona treating applications include nylon, vinyl, PVC, PET, metallized surfaces, foils, paper, paperboard stock, and other materials.

INCLUDED ACCESSORIES:

This unit comes complete with 3 electrode heads:

- A spring tip for treating the inside surface of a tube or cavity
- A 1" round electrode to treat flat surfaces
- A 2-1/2" wide wire electrode for irregularly shaped objects.

No other accessories are available.

This unit is for intermittent use only, not to exceed 20 minutes at a time.

PART NUMBER

DESCRIPTION

N001-020

LAB CORONA TREATER

24-HOUR PRODUCT SERVICES

Internet: www.uvprocess.com

E-mail: info@uvps.com



UVPS®
UV PROCESS SUPPLY, INC.