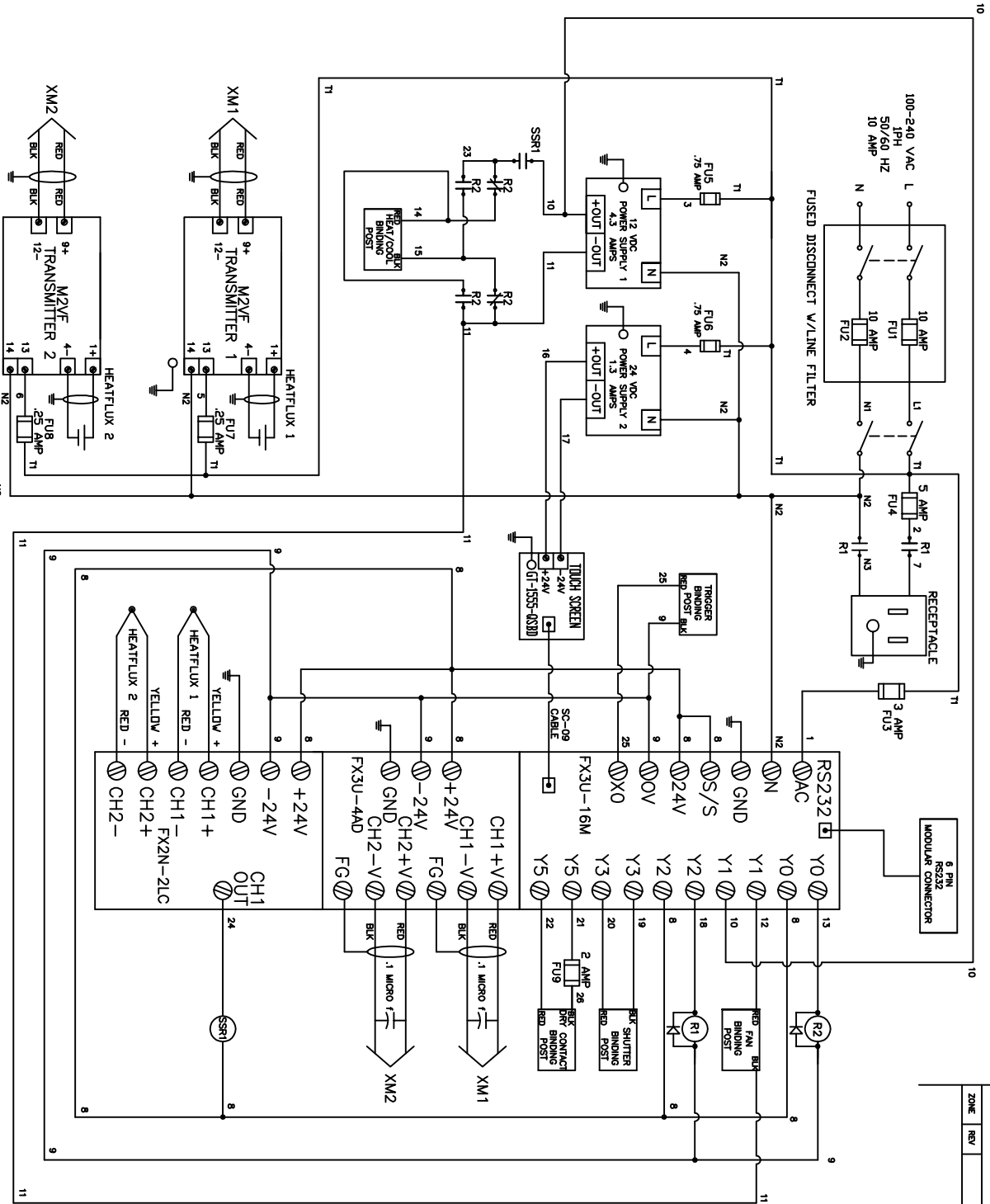


ZONE	REV	DESCRIPTION	DATE	APPROVED



UV Process
 1229 W. Cortland Chicago, IL 60614

DALEC ELECTRONICS
 9335 West Belmont
 Franklin Park, IL 60131

DALEC ELECTRONICS
 9335 West Belmont
 Franklin Park, IL 60131

10/25/07 SCALE NONE DWN BR: C. GULIK SHEET 1 OF 1

A B C D

A B C D