

UV PROCESS SUPPLY, INC.

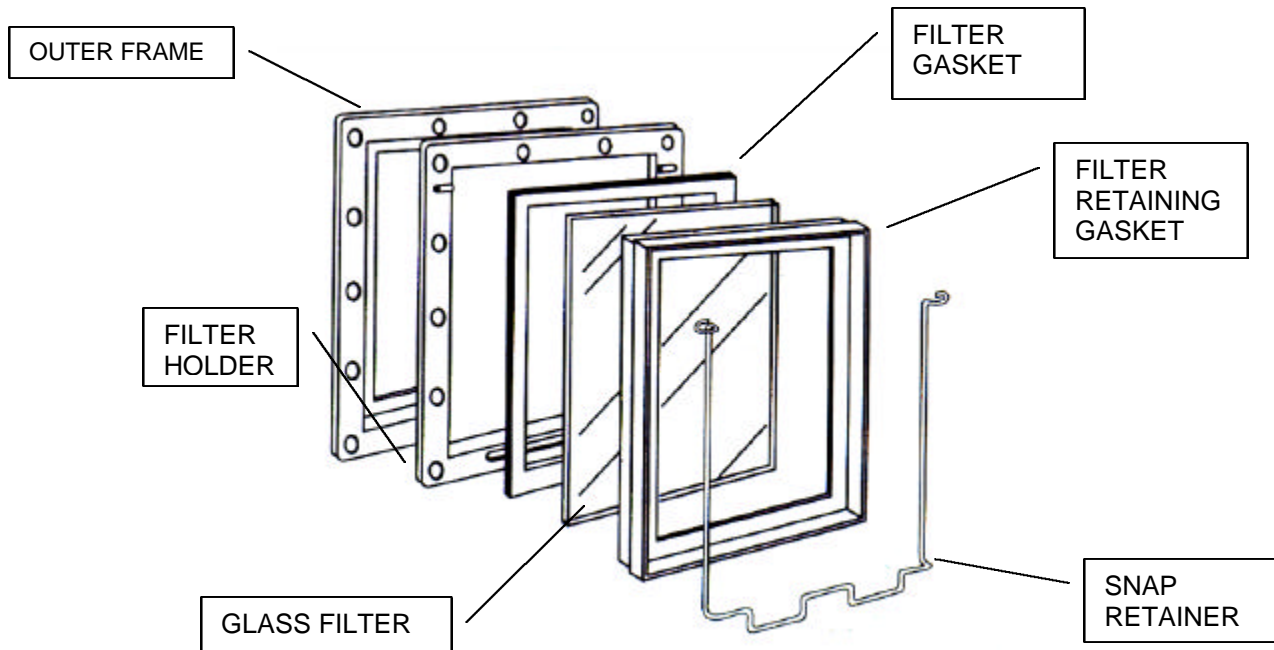
CON-TROL-CURE[®] UV VIEWING WINDOW INSTALLATION INSTRUCTIONS

PART # F005-011 and F005-013

CON-TROL-CURE's UV VIEWING WINDOW (item #F005-011 and F005-013) permits safe viewing into a UV curing zone when properly installed into the side of a fully enclosed UV curing chamber. By installing a Viewing Window into your system, you can observe the critical curing processes when standard UV-resistant eyewear is unable to provide necessary protection. PLEASE NOTE: NEVER LOOK DIRECTLY AT A UV LAMP WHEN IT IS ON. We also recommend the use of UV protective eyewear to protect against light leakage.

Instructions for installing the UV Viewing Window

1. Place the UV Viewing Window against the side of the curing chamber at the location you wish to install the window. Make sure this location will not impair the curing system's operation, and will not cause damage to any wiring or system components.
2. Using the inside dimensions of the Viewing Window, draw a box (using a pencil) to outline the intended window opening (I005-013; 1-3/4 x 3-3/4"; I005-011: 3-7/8" x 4-3/4").
3. Drill a starter hole in one of the corners of the sketched box.
4. Using a manual or electric saw equipped with metal cutting blade, cut out the sketched window from the curing chamber.
5. Insert the glass filter into the filter holder as diagrammed below.
6. Place the outer window frame against the exterior of the chamber, centering the cutout within the frame.
7. Using the outer frame's mounting holes as a template, drill corresponding mounting holes into the curing chamber.
8. With all holes drilled, place the filter holder on the inside of the curing chamber and into the cutout. Press firmly in place while ensuring the mounting holes are aligned with the filter holder. The filter holder should protrude slightly through the chamber wall.
9. Place the outer frame over the filter holder with the curing chamber wall sandwiched between the two frames. Align the mounting holes.
10. Using the rivets supplied, secure the outer frame and filter holder together. When securing, ensure that two frames are tightly pressed against the chamber wall to prevent light leakage.
11. With all rivets secure, the Viewing Window is ready for use. Be sure to clean the curing chamber of any metal shavings and other foreign matter prior to use.



UV PROCESS SUPPLY, INC.

CON-TROL-CURE® UV VIEWING WINDOW INSTALLATION INSTRUCTIONS

PART # F005-011 and F005-013

This document provides information about a product distributed by UV Process Supply, Inc ("the Seller"). The information provided in this document is offered in good faith and is believed to be reliable, but is made **WITHOUT WARRANTY, EXPRESS OR IMPLIED, AS TO MERCHANTABILITY, FITNESS FOR A PARTICULAR PURPOSE, OR ANY OTHER MATTER.**

This document is not intended to provide advice (technical, legal or otherwise) for a particular set of facts, but is of a general nature. Users of this document should consult with their own advisors and appropriate sources. The Seller and its employees do not assume any responsibility for the user's compliance with any applicable instructions, laws or regulations, nor for any persons relying on the information contained in this document.

All risk arising out of the performance of this product and/or the understanding of its usage remains solely with the Buyer. In no event shall the Seller be held liable for lost profits, lost savings, incidental or direct damages or other economic consequential damages regardless of any statement, expressed or implied, of such liability by the Seller's employees or any of its authorized agents. In addition, the Seller and its suppliers will be held harmless for any damages claimed on behalf of any third party.

The Buyer of this product accepts full responsibility and understanding for the terms and specifications set forth herein.