

LM9000™ MULTIPLEXER

Economical Continuous Monitoring of up to 256 Lamps

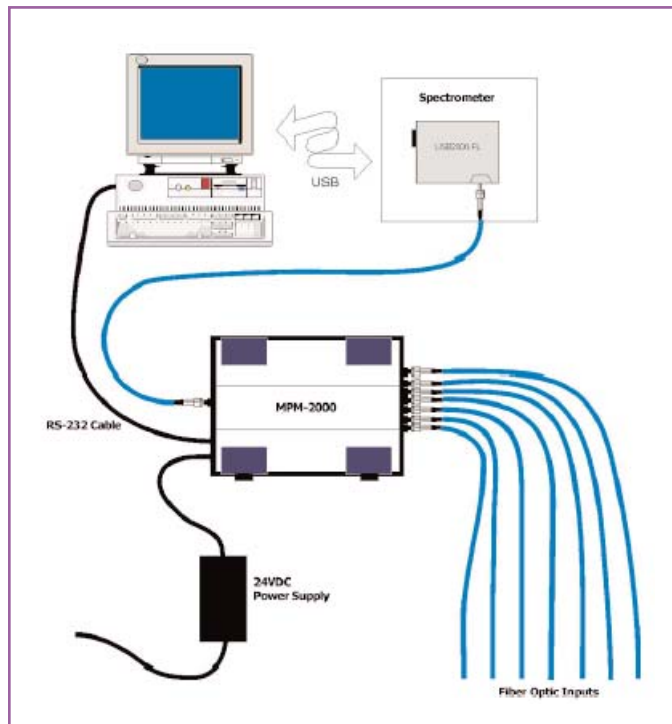


The CON-TROL-CURE® Multiplexer allows the LM9000 to couple up to 16 lamps through 1 controller.

Working together with CON-TROL-CURE's LM9000, the MPM-2000 Fiber Optic Multiplexer is a compact instrument that can optically couple 1 input channel to 16 different output channels. The MPM-2000 consists of a precisely controlled DC-motor with encoder and end switch on a rotator block. The optical path couples via UV collimating lenses.

The Multiplexer features a CNC controller working in positioning mode, which eliminates step loss. The Multiplexer is software controlled and interfaces to a PC through the RS-232 protocol. It automatically saves all calibrated positions in the memory of the controlling unit, and easy-to-use software facilitates calibration. The software enables full control of the switching order and delay time.

The Multiplexer is ideal for applications in process industry, where you need to measure multiple locations with multiple probes but with a single spectrometer channel and/or light source.



24-HOUR PRODUCT SERVICES

Internet: www.uvprocess.com

E-mail: info@uvps.com

UVPS®
UV PROCESS SUPPLY, INC.