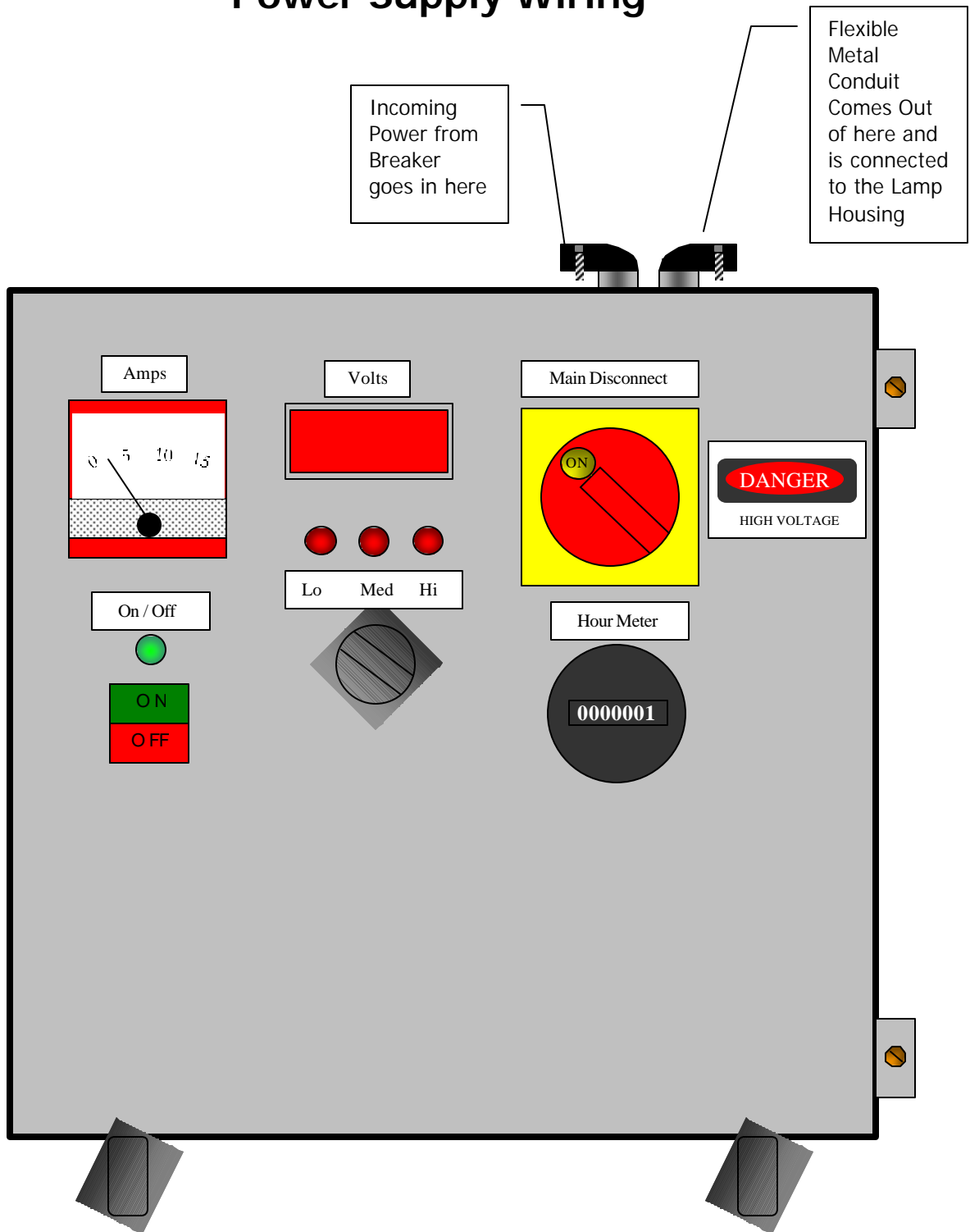




Quick Start Manual

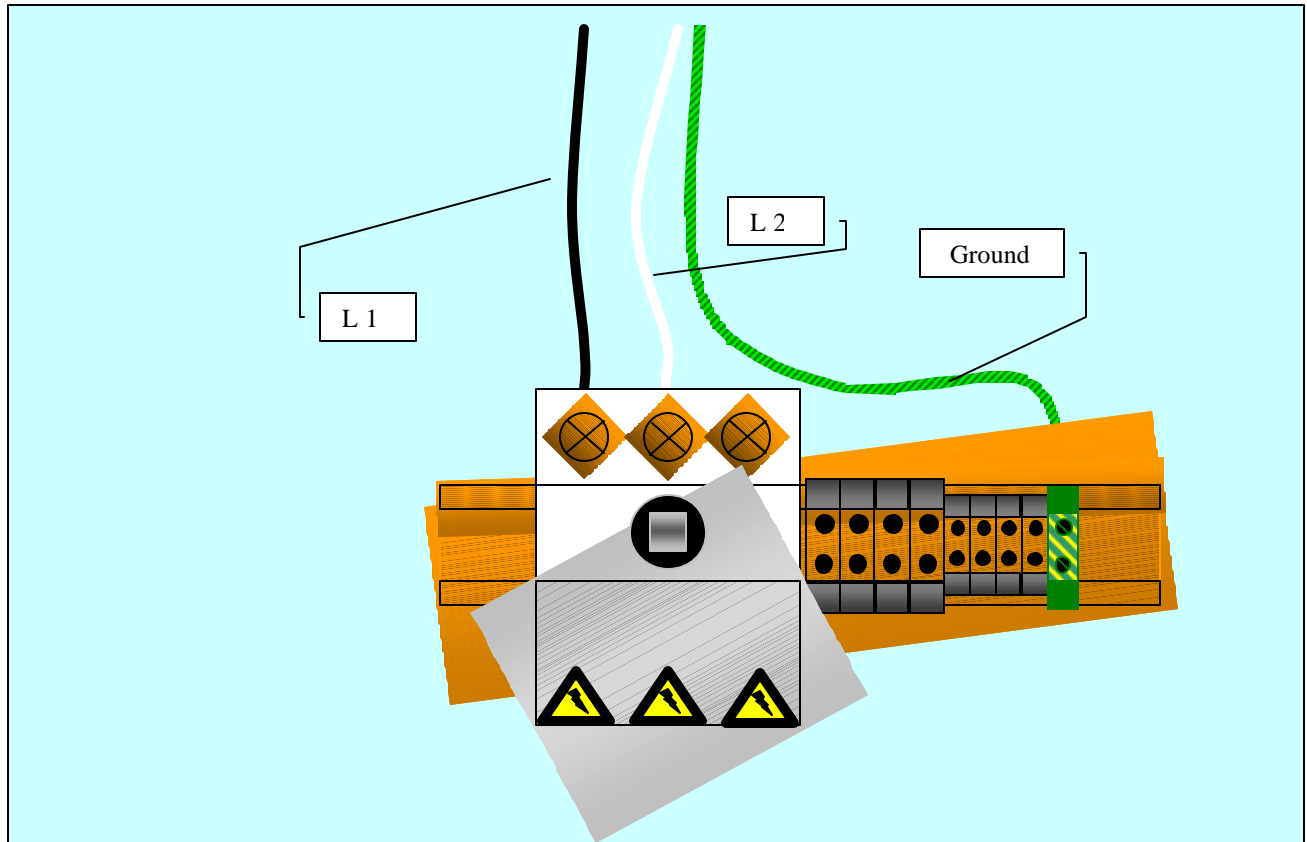
For UV Lighthouse & Power Supply Systems

Power Supply Wiring



Connection of Incoming Wires to Power Supply

Inside the Power Supply Box Top right hand corner



Lamp Housing Installation

VERY IMPORTANT!!!
Check the white High Voltage wires for any damage or nicks to the insulation. This can create a dangerous situation causing the wire to arc to the housing. Be sure not to pinch or trap these wires during installation.

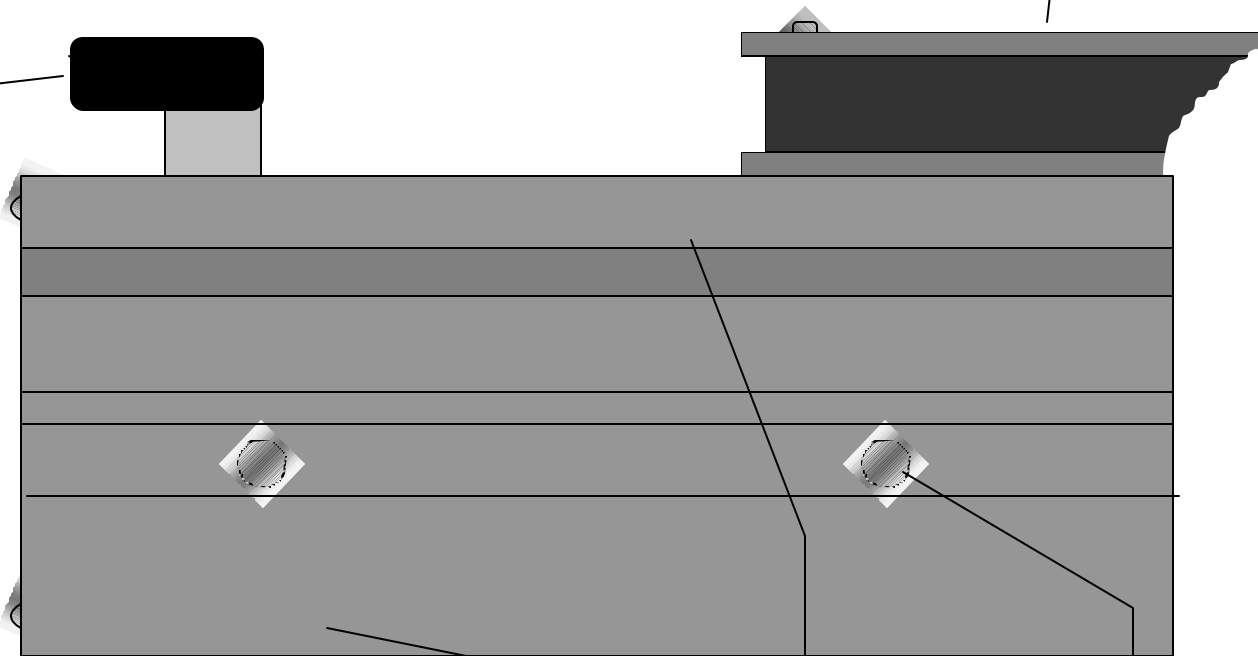
Make sure that the air flow into the fans is unimpeded; room temperature air must be pulled in here. Be sure not to enclose the housing fully, this will cause the hot air from the bottom of the housing to re-circulate and over heat the system.

Insert all of the wires from the flexible metal conduit here. Be sure to clamp conduit firmly in place. Now flip the housing onto its back.

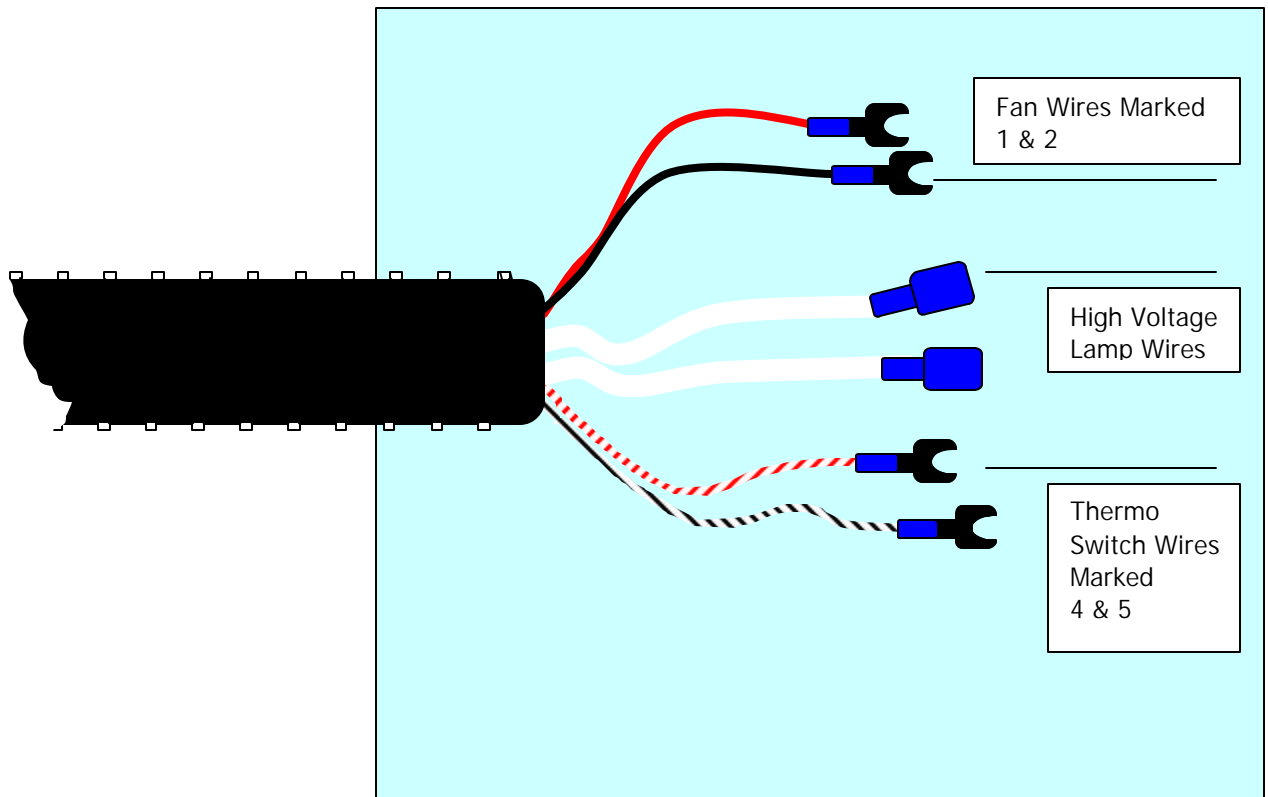
Make sure that the air flow from the vents on the bottom of the housing remains unimpeded; blocking these vents will cause extremely hot air to build up inside the housing and over heat the system. Many customers use an exhaust system on the exit side of the housing to pull the hot air and Ozone gas away from the substrate and out of the building. Be careful not to pull too much air, inadvertent overcooling of the lamp will drop the lamps UV output and cause premature blackening on the ends of the lamps. This will lead to a shortened lamp life.

The housing has four mounting slots; these will accept the head of a 1/4" bolt perfectly. Smaller looser sized mounting hardware can be used also.

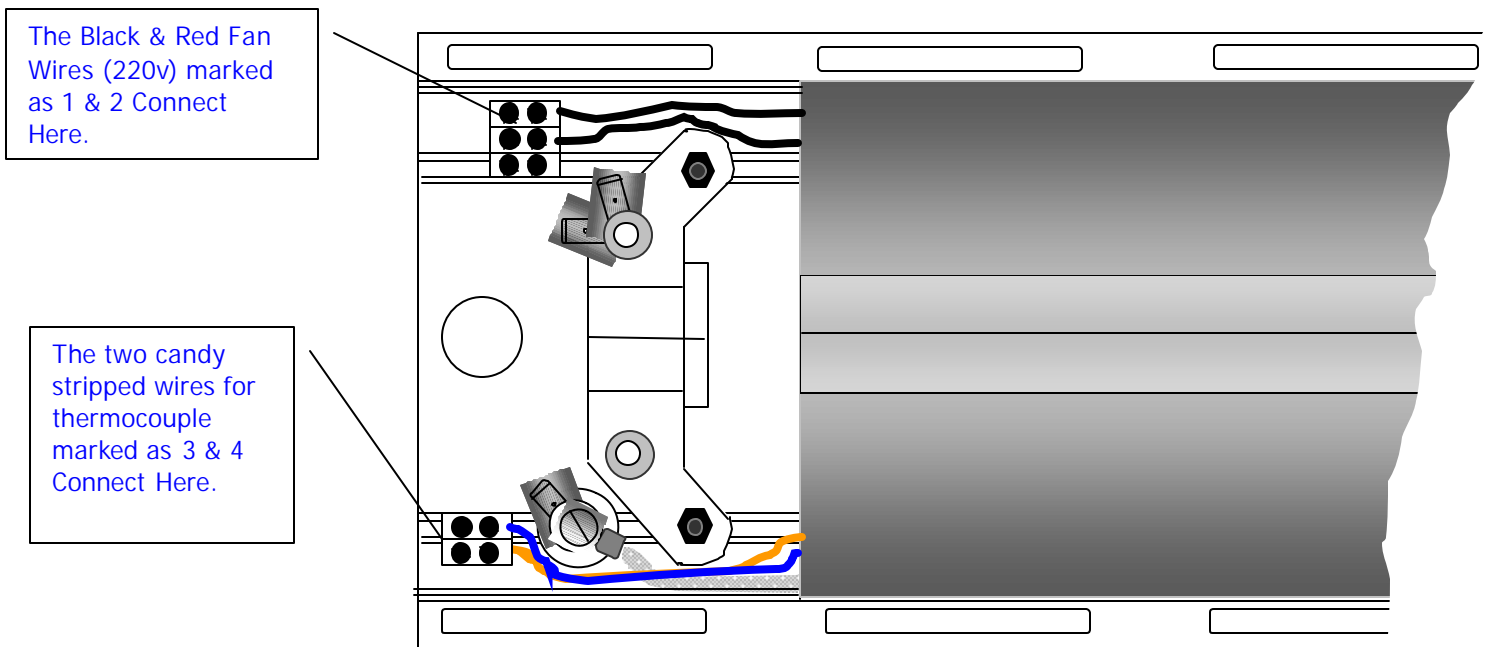
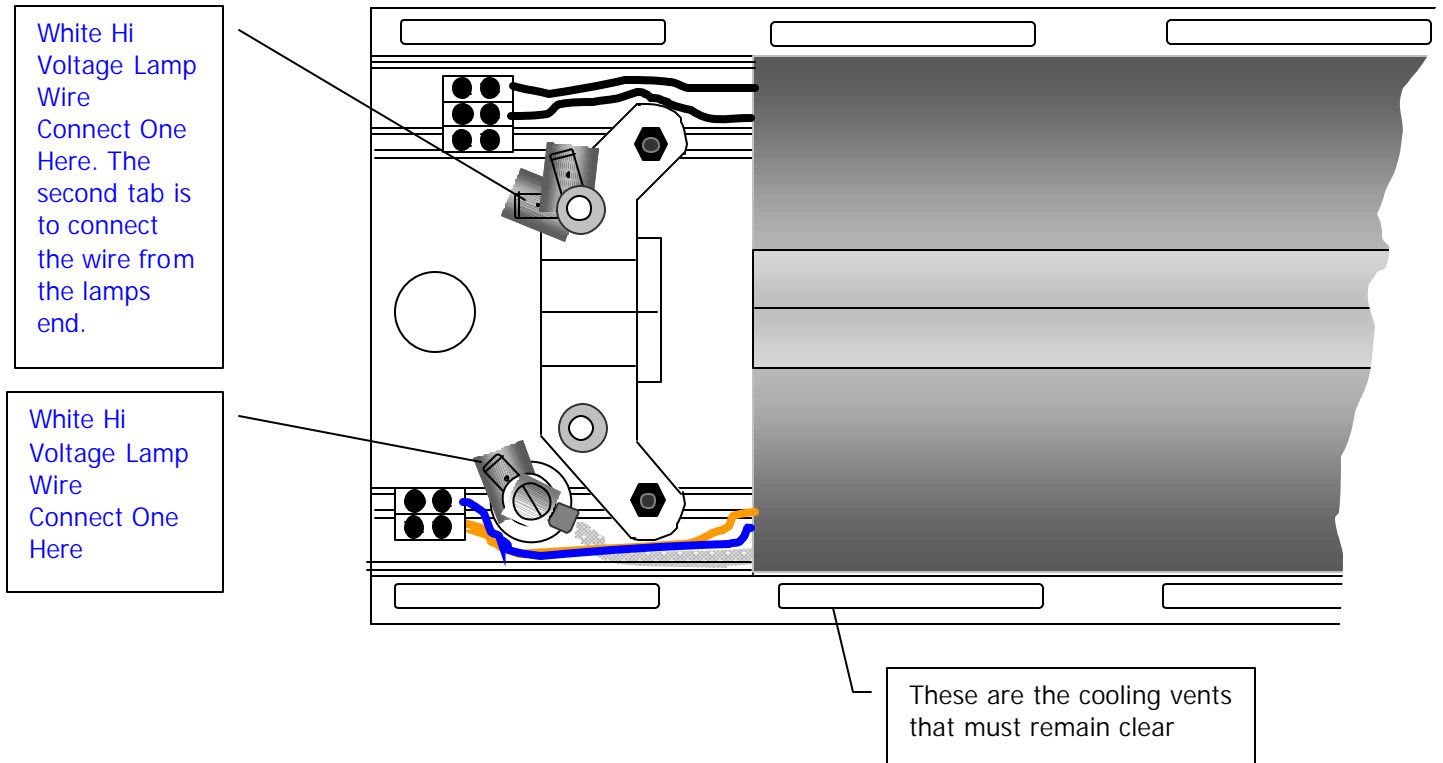
Depending on the size, the housing will have a number of bright knurled bolts to hold the side plates onto the housing. Loosen these fully to remove the side plates when replacing the reflector sheets.



Wires in the Conduit from the Power Supply Box



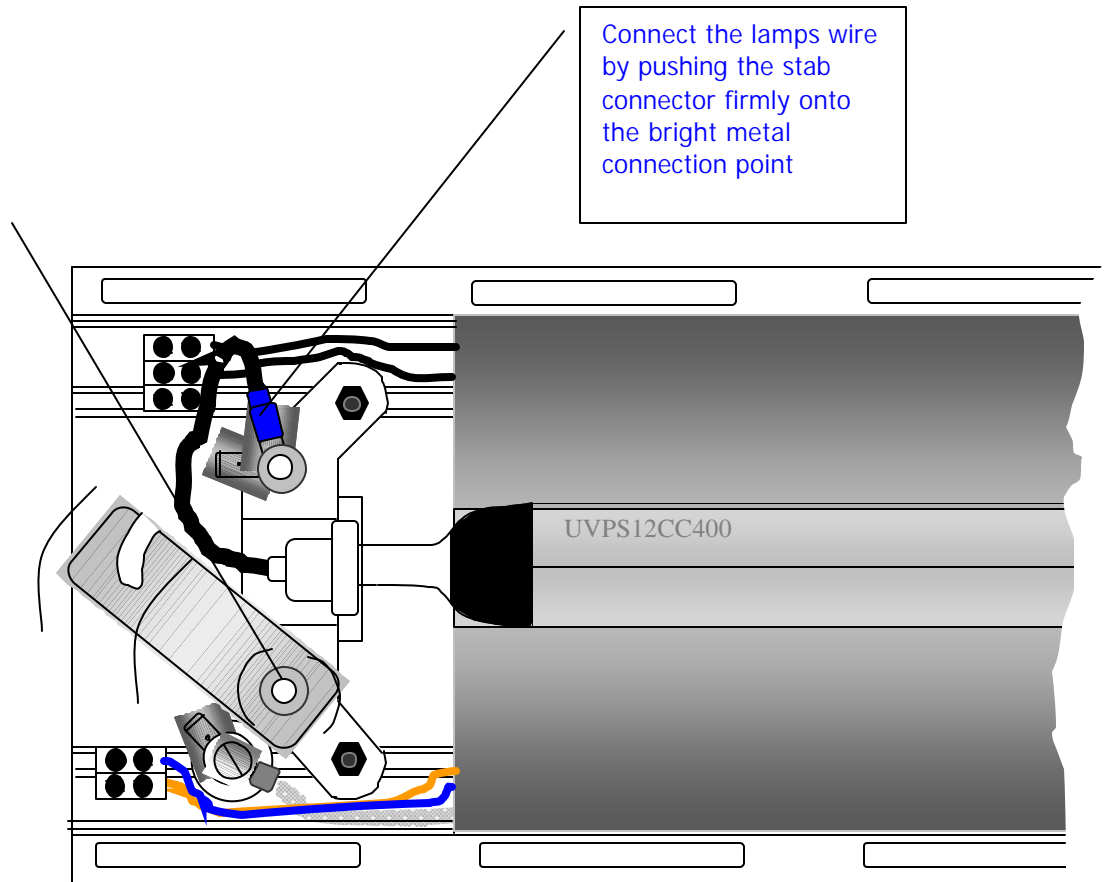
Connecting the Wires in the Lamp Housing



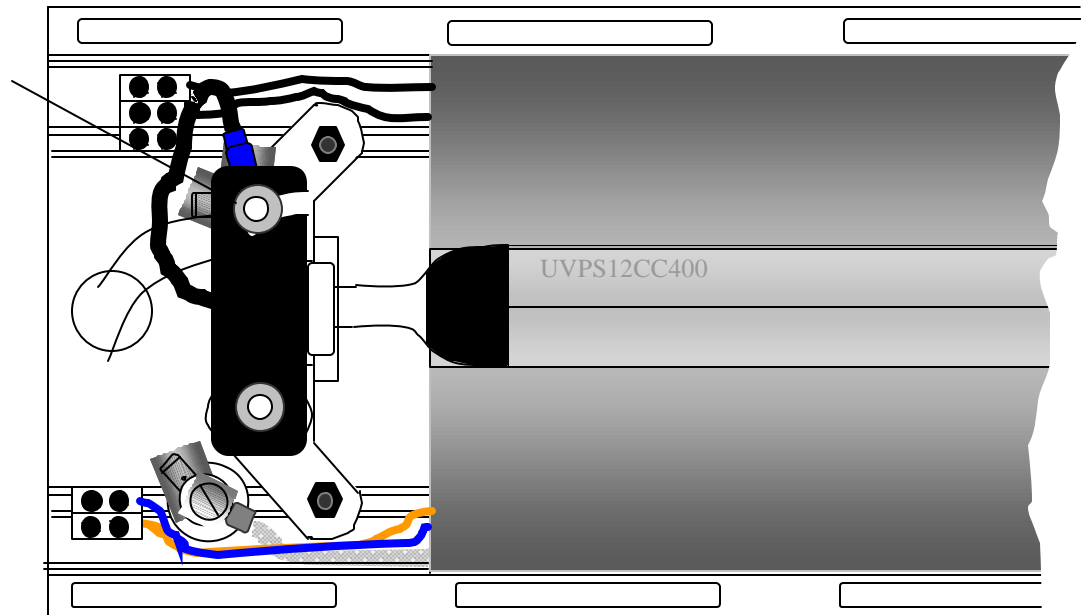
Installing the UV Lamp in the Lamp Housing

To install the lamp, loosen the knurled thumbscrews on the lamp holder, do not remove them. Swing the top part of the holder (this has a slot not a hole) clear. Lay the lamp in gently. The bracket is designed to remain loose, this is to compensate for the expansion of longer lamps.

Connect the lamps wire by pushing the stab connector firmly onto the bright metal connection point



To clamp the lamp in place, swing the top part back into place and gently tighten the thumbscrews. **DO NOT OVERTIGHTEN!**

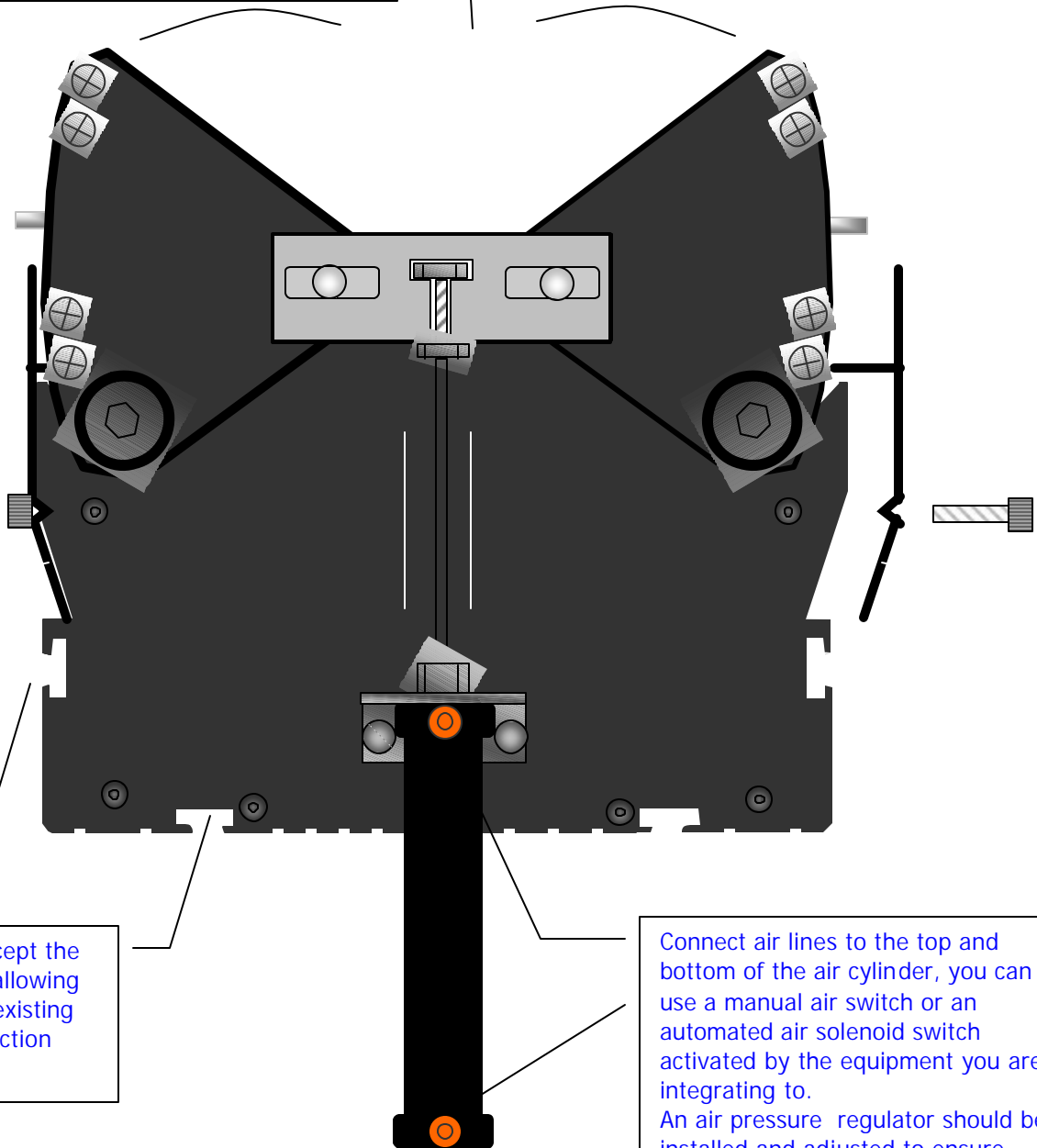


The Shuttered Lamp Housing

When the air cylinder closes the shutters, the lamp system will need to drop to its lowest power setting, e.g. from 300wpi to 100wpi. If the power level is not reduced when the shutter is closed the system will overheat and damage the lamp and reflectors.

Changing the power level can be done very simply by adding an electrical relay switch to break the wire connection "J1" between connection points 44 & 45.

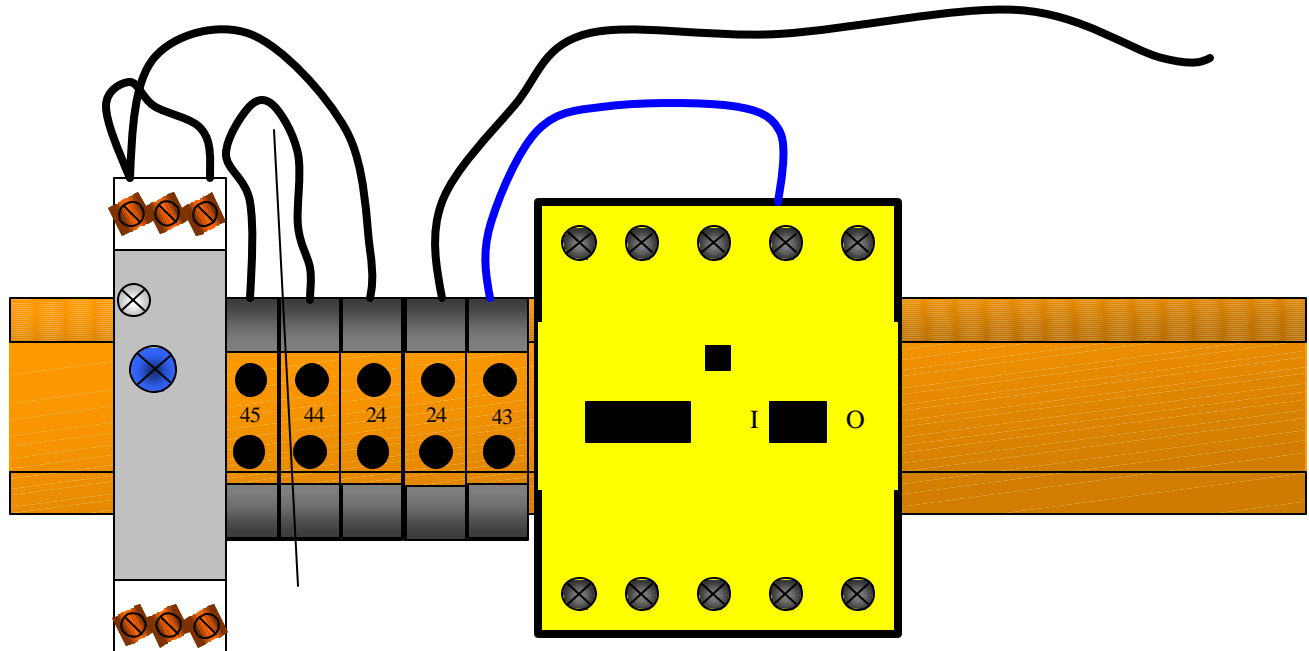
See the next page showing connectors in detail.



These slots will accept the head of a 1/4" bolt, allowing easy retrofitting to existing equipment or production lines

Connect air lines to the top and bottom of the air cylinder, you can use a manual air switch or an automated air solenoid switch activated by the equipment you are integrating to. An air pressure regulator should be installed and adjusted to ensure smooth, quiet operation. Too much air pressure can damage the mechanism.

Electrical High/Low for Shuttered Lamp Housing



This is the connection that when made keeps the lamp at full power, when the connection is broken drops the lamp power to its lowest setting.

Replacing the Reflector Materials in the Lamp Housing

